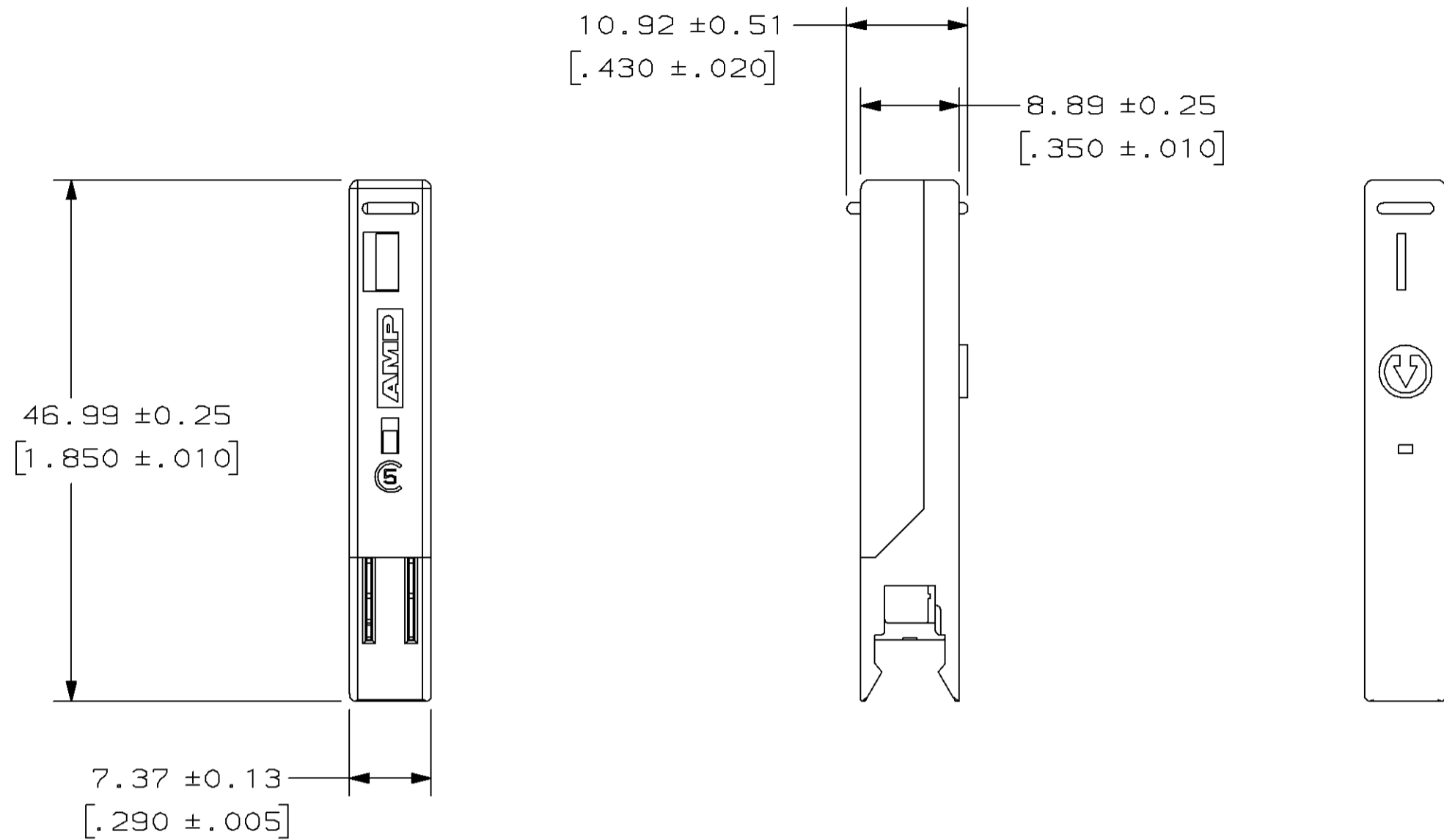


THIS DRAWING IS UNPUBLISHED. RELEASED FOR PUBLICATION
 BY AMP INCORPORATED. ALL RIGHTS RESERVED.

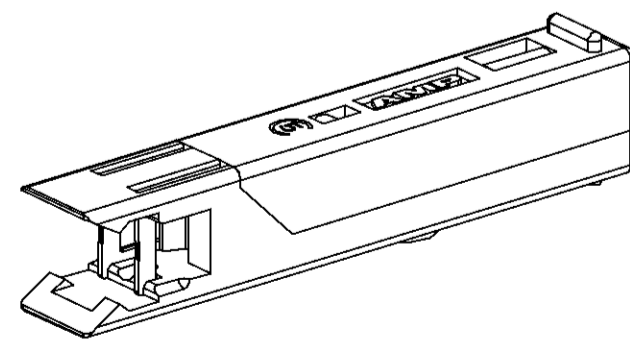
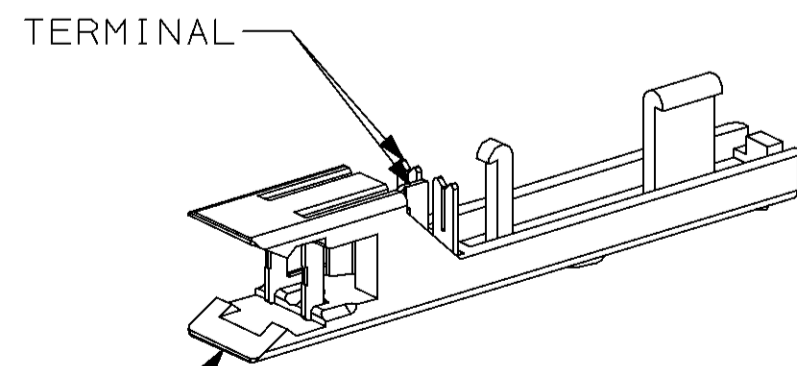
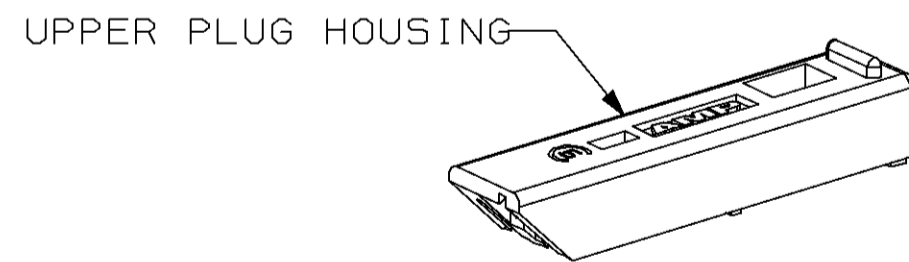
LOC		DIST		REVISIONS			
P	LTR	DESCRIPTION		DATE	DWN	APVD	
AA	28	C	ADD:3/1; NPR C98-64 & EC 0502-0208-98	11MAY98	GG	SH	



- 1 MATERIAL: HOUSING - POLYCARBONATE, IVORY, UL 94V-0. TERMINALS - 0.41 [.016] THICK PHOSPHOR BRONZE PLATED WITH 3.81µm [.000150] MINIMUM THICK BRIGHT TIN-LEAD OVER 1.27µm-3.30µm [.000050-.000130] THICK NICKEL UNDERPLATE.
- 2. KIT SHIPPED NOT ASSEMBLED.
- 3 SEE RESTRICTED CUSTOMER DRAWING 2-569477-1.
- 4 SEE RESTRICTED CUSTOMER DRAWING 3-569477-1.

WAS 95-2238-23 REV 0; 569477 REV 4

569477



LOWER PLUG ASSEMBLY

-	4
-	3
W/O AMP LOGO	1-569477-1
WITH AMP LOGO	569477-1
DESCRIPTION	PART NO

<small>THIS DRAWING IS A CONTROLLED DOCUMENT FOR AMP INCORPORATED. IT IS SUBJECT TO CHANGE AND THE CONTROLLING ENGINEERING ORGANIZATION SHOULD BE CONTACTED FOR THE LATEST REVISION.</small>		DWN K. BARKER 08/03/95 CHK D. AHERON 11/02/95 APVD G. REED 11/02/95		AMP Incorporated Harrisburg, PA 17105-3608	
DIMENSIONS: mm (INCHES)		TOLERANCES UNLESS OTHERWISE SPECIFIED: 0 PLC ± - 1 PLC ± - 2 PLC ± - 3 PLC ± - 4 PLC ± - ANGLES ± - FINISH ± -		NAME PLUG KIT, 1 PAIR, 110 PATCHCORD	
		APPLICATION SPEC -		SIZE A2 00779	
MATERIAL 1		WEIGHT -		DRAWING NO C=569477	
CUSTOMER DRAWING		SCALE 2:1		SHEET 1 OF 1 REV C	